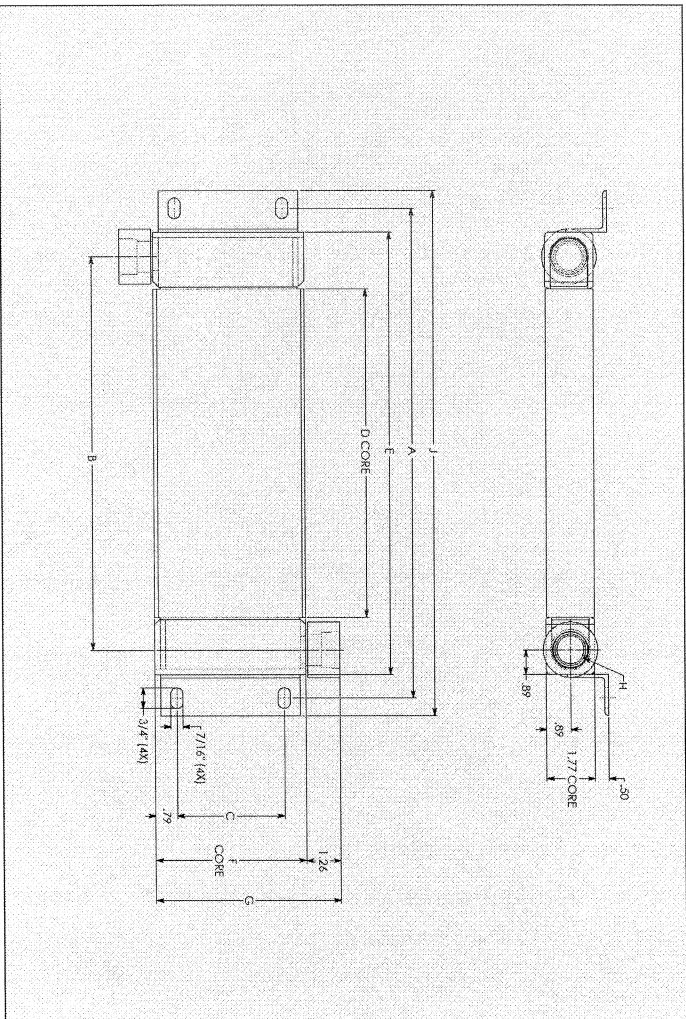


Belt Guard Aftercoolers

- Mount Directly to Compressor's Belt Guard Utilizing Compressor Pulley's Air Flow for Cooling
- Compact Aluminum Bar and Plate Design Provides Maximum Performance with Low Pressure Drop
- Competitive Pricing, Delivers from Stock



MODEL NUMBER	MAX SCFM	MODEL RATING APPROACH TEMP
C-1835BG	35	5°F for 18 SCFM 15°F for 35 SCFM
C-3560BG	60	10°F for 35 SCFM 25°F for 60 SCFM
C-70100BG	100	13°F for 70 SCFM 25°F for 100 SCFM

Sizing Notes, Ratings Are Based On The Following:

- Max Pressure Rating - 250 PSI
- Max Operating Temp - 400° F
- Material - Aluminum
- 250° F Inlet (Air)
- 100-PSIG Operating Pressure
- 100° F Ambient Air
- 500 FPM Air Velocity
- Max Pressure Drop is 3 PSI or less

MODEL NUMBER	A	B	C	D	E	F	G	H	J
C-1835BG	17.68	14.17	2.76	11.81	15.94	4.29	5.55	1.00	18.94
C-3560BG	17.68	14.17	3.94	11.81	15.94	5.51	6.77	1.00	18.94
C-70100BG	19.65	16.14	6.3	13.78	17.91	7.91	9.17	1.00	20.91