



**ASP**  
Filtration Group®

Timer Drain

Electric Operated Condensate Drain

## BVD-Drain

A non-clogging ball valve with a solid state timer and a straight-through flow path design.



Shown with Stainless Steel Valve.  
Also Available in Bronze.

Removes condensate,  
(oil and water) from  
compressed air systems.

### Features

- Solid state timer
- Straight-through flow pattern
- Robust seat and seal design
- Test button
- Available in several sizes
- NEMA 4X enclosure
- Available in different pressure ratings up to 2000 PSI
- Versatile for many applications

### Benefits

- Easy adjustability of drain cycle frequency
- Prevents clogging
- Provides extended service on the most demanding applications
- Quick check of drain operation
- Can be used on wide range of flows
- Rugged and non-corrosive
- Can be used on wide range of applications
- Can be used for filters, air receivers, air dryers, separators and aftercoolers

## Specifications

Inlet/Outlet: 1/4" NPT / 1/2" NPT /  
3/4" NPT / 1" NPT

Drain Cycle Frequency: 5 secs – 50 mins

Drain Cycle Time: 5 secs

Pressure: Bronze – up to 600 PSI  
Stainless Steel – up to 2000 PSI

Grounded Cord: 8 ft.

Power: 115 V, 60 Hz., 1 Ph.

Weight: 6 lbs.

NEMA 4X Enclosure: 6" X 3" x 3"

## How It Works

The BVD Series is a heavy duty condensate or process timer drain consisting of a gear-motor operated ball valve with a solid state timer and straight-through flow path design. The solid state timer module initiates a drain cycle by energizing the gear motor to rotate the ball valve 180° from closed to open and back to a closed position. The drain cycle lasts for approximately 5 seconds during which condensate is drained.

## Approx. Quarts Per Discharge Cycle

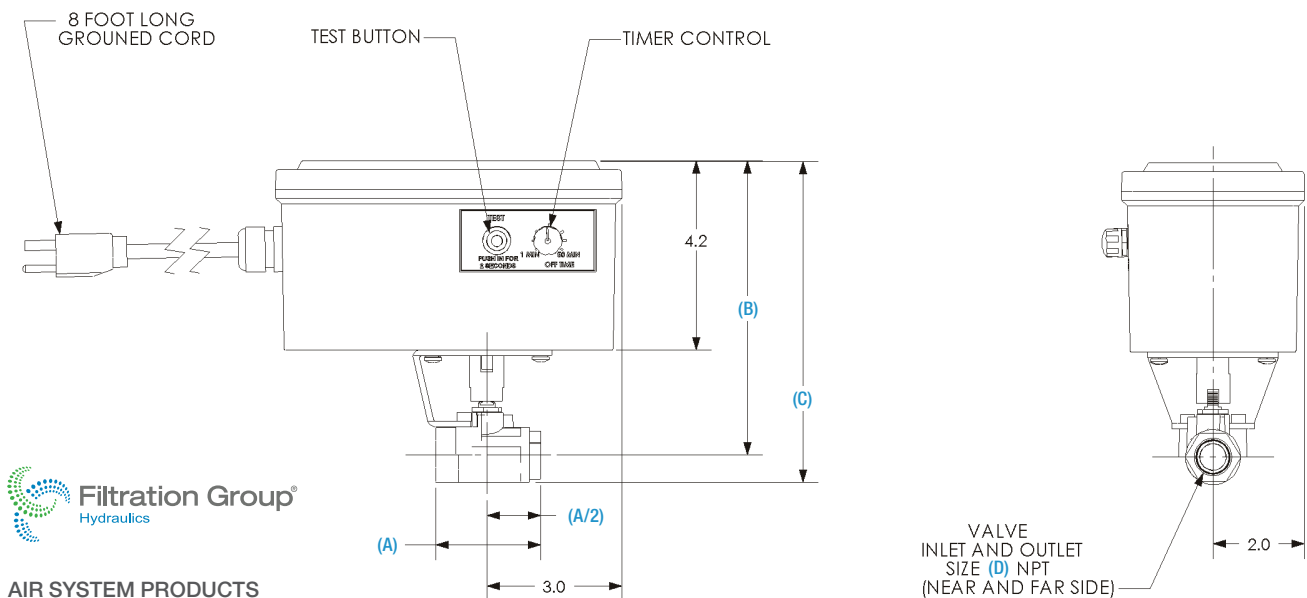
Operating Pressure	1/4"	1/2"	3/4"	1"
50	2	3.7	6.9	12.7
75	2.4	4.4	8.3	15.1
100	2.7	5	10	17.2
125	3	5.6	10.5	19.3
150	3.2	6	11.2	20.6

## Ordering Information

Stock No.	Description	(A)	(B)	(C)	(D)
BVD-2B14 / 2S14	1/4" NPT Bronze / Stainless Steel Valve	2.25"	6.50"	6.50"	1/4"
BVD-2B12 / 2S12	1/2" NPT Bronze / Stainless Steel Valve	2.25"	6.50"	7.00"	1/2"
BVD-2B34 / 2S34	3/4" NPT Bronze / Stainless Steel Valve	3.00"	6.75"	7.50"	3/4"
BVD-2B10 / 2S10	1" NPT Bronze / Stainless Steel Valve	3.25"	7.25"	7.75"	1"

## Dimensions

See (A), (B), (C), (D) Dimensions in illustration below



**AIR SYSTEM PRODUCTS**  
51 Beach Ave.  
Lancaster, NY 14086  
Phone: 716.683.0435  
Fax: 716.683.7128  
Email: info@airsyspro.com  
www.filtrationgroup.com