

External Pneumatic Operated Condensate Drain

Dehydra



A fully automatic plug and play design, zero loss drain that requires no electricity.

Translucent reservoir for visual assurance of operation.

Features

Plug and play design

Fully pneumatic

Vertical compact design

Non clogging

Translucent reservoir

Isolated trigger assembly

Full port ball valve

Versatile for many applications

Benefits

Easy to install

No electricity required

Can be installed in a tight space

No strainers to clean

Easy-to-see condensate level
"Quick check"

Ensures a positive action, preventing air loss

Provides rapid discharge and avoids
pluggage by contaminants

Can be used for aftercoolers, receivers,
dryers, or filters

Model No. Dehydra

Specifications

Inlets: (2) 1/2" NPT

Outlet: 1/2" NPT

Power: Clean, Dry Compressed Air
50 to 120 PSI

Pressure: 0 to 250 PSI • up to 450

Operating Temperature: 33° to 180° F.

Weight: 19 lbs.

Discharge: 52 ounces per cycle

Materials

Reservoir: Composite

Heads: Aluminum

Valve: Bronze w/S.S. Ball and Stem

Float: Poly (Stainless Available)

Seal: Viton®*

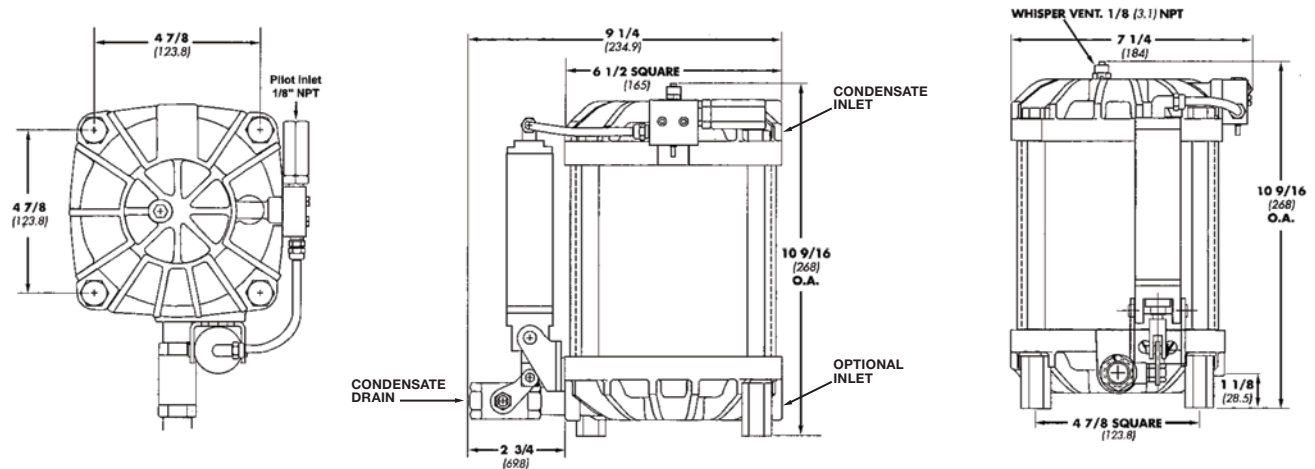
Consult factory for additional options

How It Works

Condensate enters the drain through one of two inlet connections. A non-metallic float is tethered to a float arm. As condensate is collected and the translucent reservoir fills, the float rises. When the condensate reaches a design level, the float lifts the trigger assembly and a drain cycle is initiated. The trigger assembly opens and directs control air to the valve actuator, which in turn opens the full-port drain valve.

Condensate will then exit the unit. As the condensate level drops, the trigger assembly closes and the valve actuator closes the drain valve. The drain is returned to a standby condition.

Dimensions



AIR SYSTEM PRODUCTS

51 Beach Ave.
Lancaster, NY 14086
Phone: 716.683.0435
Fax: 716.683.7128
Email: info@airsyspro.com
www.filtrationgroup.com

All design specifications are subject to change without notice.

* Viton is a registered trademark of E. I. DU PONT DE NEMOURS & COMPANY CORPORATION.

© 2017 FGA-021-072817-02